

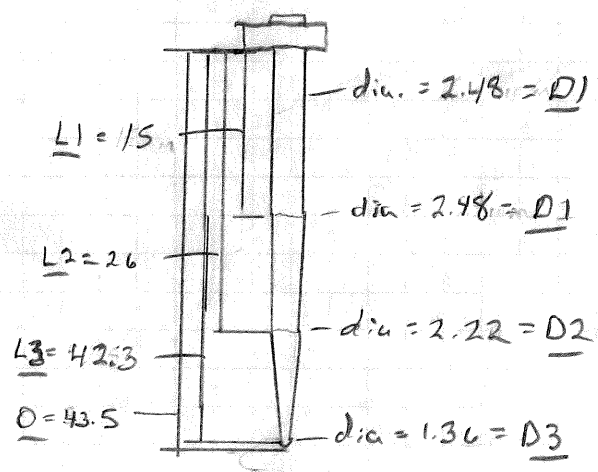
(all dim. in mm)

NC30 Stock Needles

JS1A

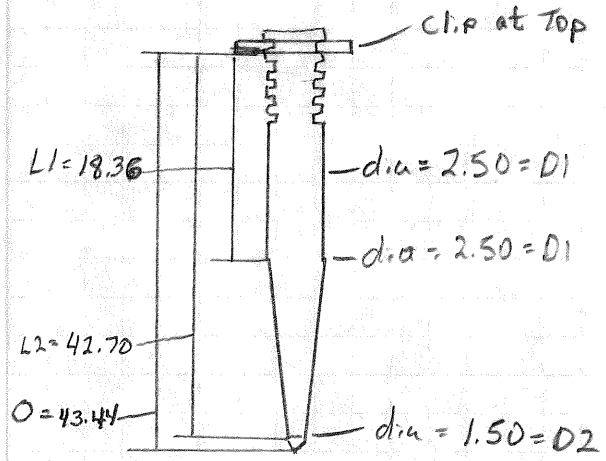
JS1B

Same as JS1B



2 Taper transitions  
(a somewhat rolling Taper change)

Brass Needles - Unknown Source

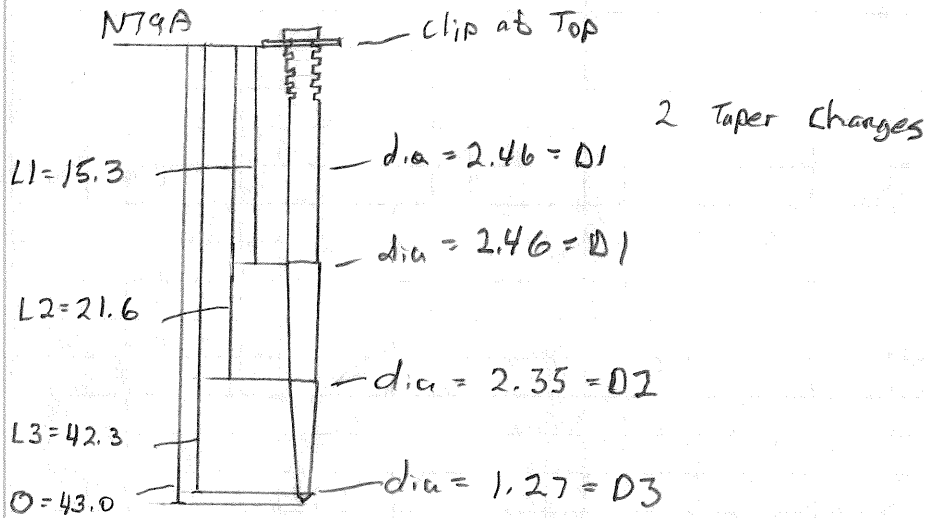


18.36

1 Taper change

(all dia in mm)

Silver (AL) Needles - Unknown Source  
 (From "HRC style" Carbs - the rusted Carbs)



HRC NC30 Needles (measured by Rick Oliver)

